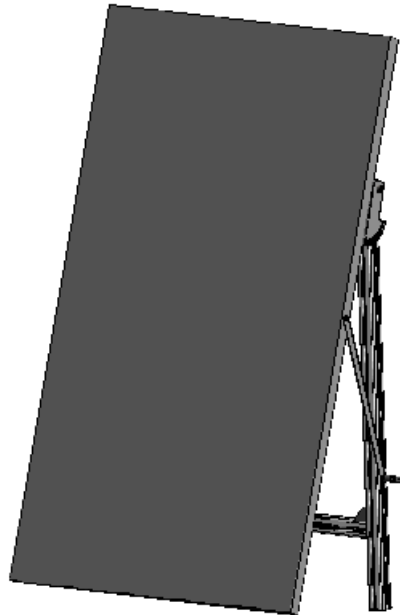


Rotary solar panel collector
stand

ATSKM1-1

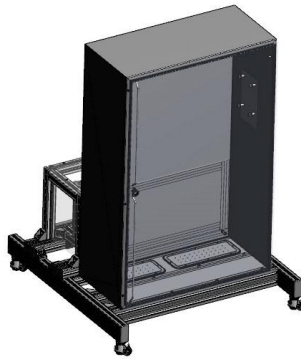
Industrial solar collector installed into the stand it can be connected to the control stands. Stand can be rotated 90 degrees 5 degrees intervals for better productivity.



Technical characteristics:

- ✓ tensile profile strength 240 N/mm²
- ✓ profile elasticity module 70000 N/mm²
- ✓ profile hardness according to the Brinell scale 75 HB
- ✓ turning angle adjustable from 5 to 90 degrees 5 degrees intervals
- ✓ 270 W solar collector

Our solar collector stand is designed to help students understand how solar collector work. The stand teaches students how to install solar collector's control system, to test them, perform inspection and repair works.



Technical characteristics:

- ✓ profile tensile strength 240 N/mm²
- ✓ profile elasticity modulus 70000 N/mm²
- ✓ profile hardness according to the Brinell scale 75 HB

Battery – 1 pc.

- ✓ deep discharge cycle
- ✓ voltage 12 V
- ✓ capacity 220 Ah
- ✓ with 3 plexiglass protection

Transparent panel – 1 pc.

- ✓ door opening angle 120 degrees
- ✓ three points attachment
- ✓ with integrated perforated mounting net

Demo screen – 1 pc.

- ✓ voltage limits from 8 to 70 V continuous
- ✓ currents
- ✓ connected to an inverter
- ✓ ethernet connection
- ✓ ModBus connector
- ✓ we demonstrate battery parameters, alternating current parameters, alternating current loads, solar panel power
- ✓ all values are displayed on the digital screen
- ✓ automatic data transfer to the database

Controller – 1 pc.

- ✓ battery voltage: 12/24/36/48 V
- ✓ automatic voltage selection
- ✓ maximum power point tracking control
- ✓ charging current 45A
- ✓ nominal PV power at 12 V - 650 W
- ✓ nominal PV power at 24 V - 1300 W
- ✓ nominal PV power at 48 V - 2600 W
- ✓ max. PV short circuit current - 50A
- ✓ multi-level stacking algorithm
- ✓ battery polarity reversal protection
- ✓ Polarity reversal protection of PV components
- ✓ short circuit protection
- ✓ over temperature protection

Inverter – 1 pc.

- ✓ power management function
- ✓ power management auxiliary function
- ✓ switch 16A
- ✓ output voltage 230 V
- ✓ power at 25 C - 700 W
- ✓ power at 40 C - 650 W
- ✓ power at 65 C - 400 W
- ✓ short peak power 1.6 kW
- ✓ max. efficiency 92 %
- ✓ integrated programmable relay
- ✓ integrated battery temperature sensor

Solar collector module stand

ATVSM1-1

Asela, UAB

Pateikiamos nuotraukos tik informacinio pobūdžio.
Dokumente pateikiama konfidenciali informacija ir griežtai
draudžiama naudoti šį dokumentą be UAB „Asela“ sutikimo

We offer various electricity systems for mounting. It is a best way to get a better understanding of different electricity systems. For best results use this system with our mounting stand (code: MSSP01-1) and power supply 4A format (code: MBA411-1)



Included:

- ✓ MKAS01-1 Security systems installation kit
- ✓ MKAS02-1 Wireless security systems installation kit
- ✓ MKGA01-1 Set of fire alarm installation components
- ✓ MKST01-1 Video camera systems installation kit
- ✓ MKPK01-1 Locks installation kit
- ✓ MKDO01-1 Phone locks installation kit

✓ Additional required equipment:

- ✓ MSSP01-1 Mounting stand
- ✓ MBA411-1 Power supply 4A format single phase

Risk management for buildings, offices and public places are evolving rapidly. In order to provide a safer escape route, we designed this emergency exit lamp stand. This stand is designed as a component which needs to be connected with management systems to compose complete emergency exit lamp structure which in extreme situation can lead people to exit without getting lost. This stand will help you adapt your emergency exit route, making it more adaptive and evacuating people safely.



Technical characteristics:

Controller

- ✓ 20 m. field of view
- ✓ 3 h. operating time from accumulator
- ✓ 6.6 W power usage
- ✓ 128 bits SSL type encryption
- ✓ 4 mm safety leads
- ✓ Base is bent at an angle of 15 degrees for convenience purpose
- ✓ 5 mm Upper plate thickness

✓ Additional required equipment:

- ✓ ELKAV1-1 Emergency lighting controller stand
- ✓ ELKAS2-1 Emergency light stand
- ✓ ELKAS3-1 Emergency light stand
- ✓ ELKAS4-1 Emergency light stand
- ✓ MSA401-1 Mounting frame for A4 format stands
- ✓ MBA411-1 Power supply frame
- ✓ ESKAW-1 Wifi module stand
- ✓ ELPI01-1 Software

A set of wireless security stands designed to create various configurations of wireless security systems. Stand has different components which helps student learn how to properly connect wireless security systems, configure them and program accordingly.



Technical characteristics:

- ✓ Transformer (1 pc.):
- ✓ Accumulator (1 pc.):
 - voltage 12 V
 - capacity 7 Ah
- ✓ Central unit (1 pc.):
 - wireless alarm type
 - 32 wireless zones, 32 users and 32 remote controls (per user)
 - 8 wireless keyboards can be connected
 - 2 areas
 - 2 wireless extenders
 - service codes
 - 2 RPTI signal extenders can be connected
 - two-cord fire zone
 - 256 event memory
 - 3 monitoring phones and 5 personal phones can be connected
 - sleep method function
 - memory key
 - software
- ✓ Wireless motion sensor (1 pc.):
 - detection distance 11x11 m
- ✓ Wireless curtain sensor (1 pc.):
 - optical protection against pets
 - active infrared detection for sprayed liquids
 - object blocking at 30 m distance
 - crawl zone detection
 - double tamper detection
 - compatible with frequencies 433 MHz or 868 MHz
 - According to EN 50131-2-2 standard class 2
- ✓ internal siren (1 pc.):
 - two selectable tones
 - sabotage contacts from opening and hanging
 - piezo element with 115 dB sound emission
 - supply voltage/current 12 V/150 mA
- ✓ Communication system (1 pc.):
 - 2 GSM SIM cards
 - with additional antenna operating distance 18 m
 - In the GPRS method, messages are encrypted using 128-bit MD5 and 256-bit AES
- ✓ Communication system (1 pc.):
 - 32 zones and 2 divisions
 - 8 one-touch buttons
 - 3 panic alarm activation buttons

- detection distance in centre position 15 m. with an angle of 88.5 degrees
- insensitivity to animals till 18 kg.
- sabotage switch
- energy storage mode
- operating distance in standard residential environments 70 m.
- ✓ Wireless door sensor (1pc.):
 - high sensitivity reed switch with magnet
 - operating distance in standard residential environments 40 m.
 - compatible with frequencies 433 MHz or 868 MHz
 - safety switch
- ✓ Wireless glass break sensor (1 pc.):
 - compatible with frequencies 433 MHz or 868 MHz
 - 6 m. detection radius and 360 degrees coverage area detection angle
 - impact detection of different glasses: laminated, wired and tempered
 - factory sensitivity reset
 - impact and impact wave analysis
 - high resistance to RFI and EMI signals
- ✓ Technical characteristics:
 - 4mm safety connections
 - Stand housing thickness 5 mm
 - Stand housing marking is engraved